
7694 Pressure Valves

	Description	HP Part No.	Qty
1	Pressure regulator	330-086-HSP	1
2	Flow controller	330-055-HSP	1
3	Knob	460-006-HSP	2
4	Bulkhead fitting kit	325-024-HSP	2
5	Plug, plastic	300-551 -HSP	1
6	PCB SP pressure transducer (stand alone), or PCB SP pressure transducer (EPC)	41 5-302-HSP 41 5-31 2-HSP	1 1
7	Spacer, D1 0 X D4 X 1 0	301 -1 07-HSP	3
Associated nuts and washers			
A	Nut, M3	0535-0004	3
B	Washer, toothed D3	21 90-0638	3
C	Washer, flat D3	3050-0891	3

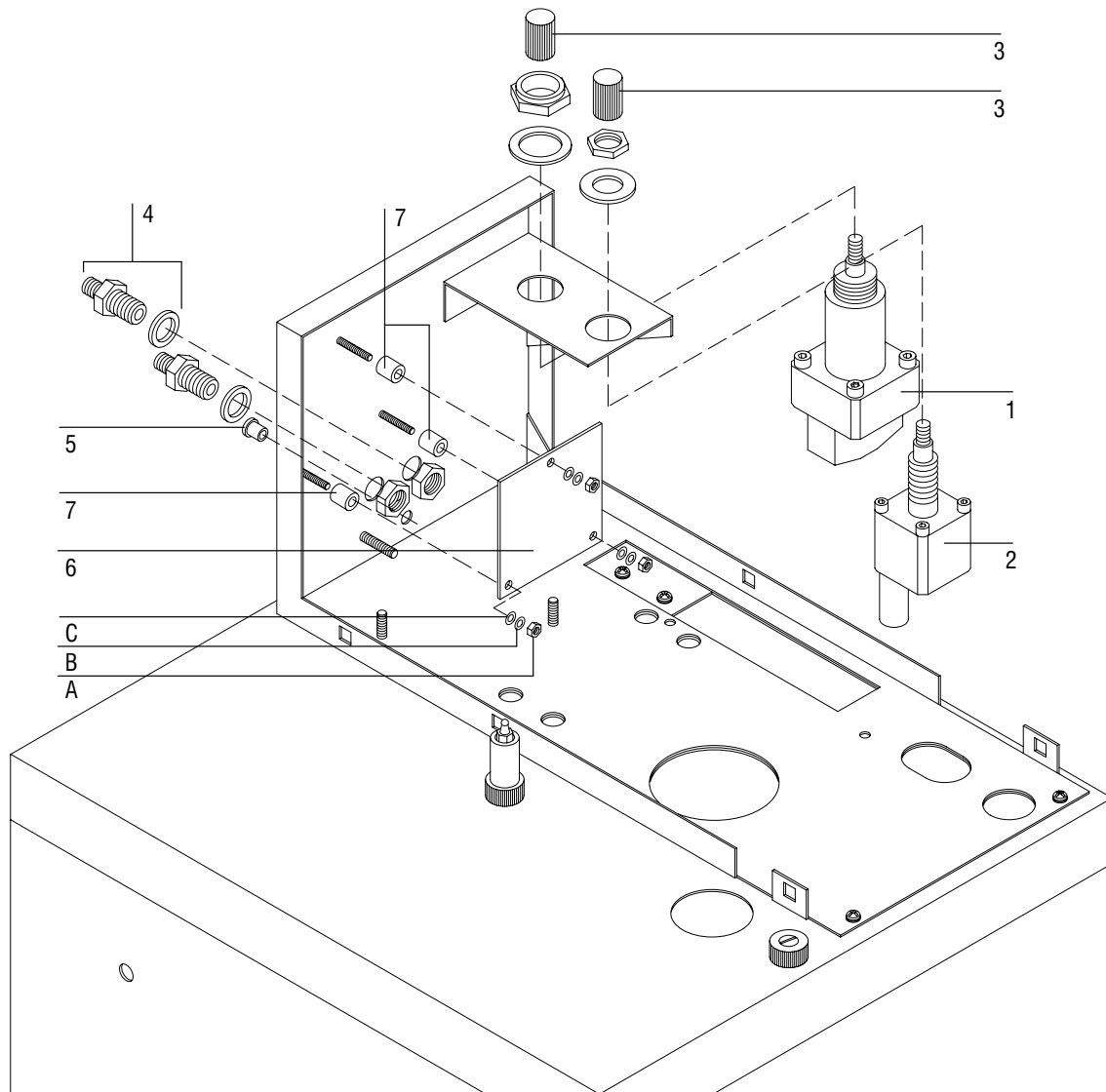


Figure 5-10. Pressure Valves